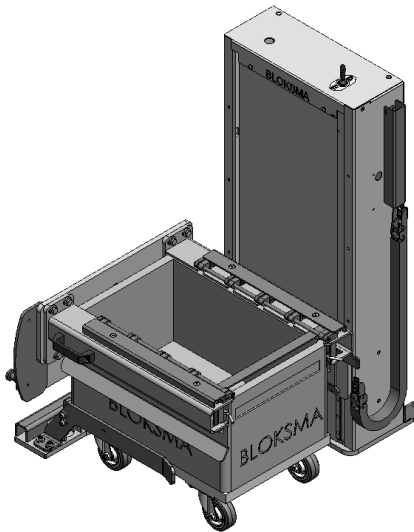


## LIFTERS

### Lifters Further options I

Further lifters will be manufactured individually according to your request and requirement.

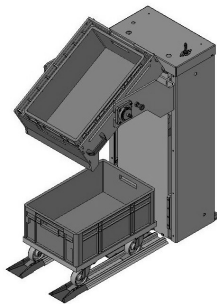
Power: Optional pneumatic or electric.  
Some lifters also hydraulically or battery operated.



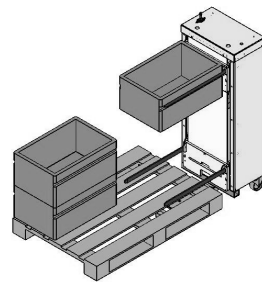
Item no. 147549  
lifter for tilting



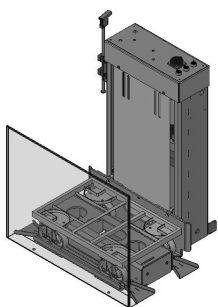
Item no. 135058  
lifter with tilting unit



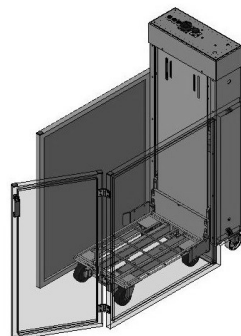
Item no. 139320  
for tilting



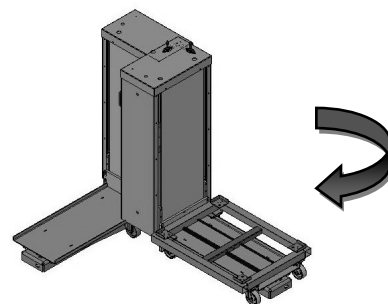
Item no. 130730  
for shifting KLT



Item no. 135561  
for driving through



Item no. 140656  
with housing – safety door



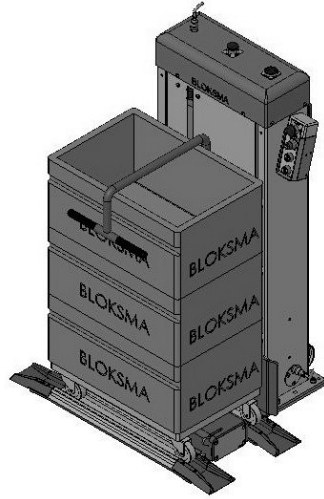
Item no. 201866  
can be rotated up to 360°

**Other models / dimensions / loads as well as control elements on request.**

The appearance of the device may deviate from the plotted models.

## LIFTERS

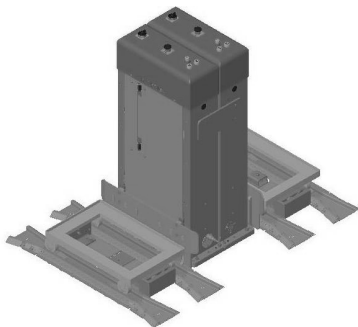
## Lifters Further options II



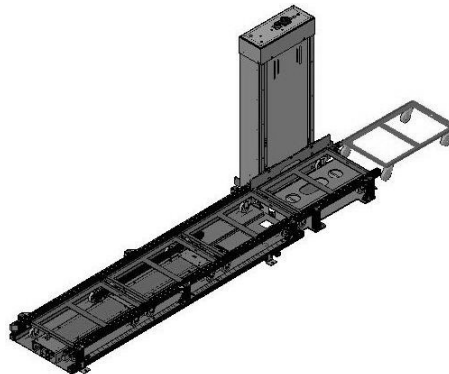
Further lifters will be manufactured individually according to your request and requirement.

Power: Optional pneumatic or electric.  
Some lifters also hydraulically or battery operated.

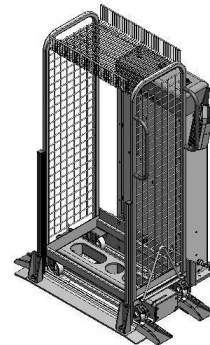
Item no. 145630  
lifter for driving through



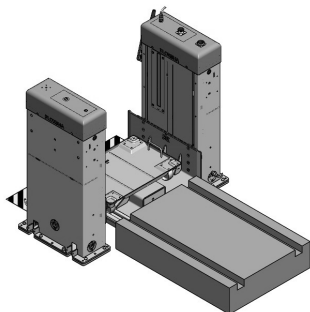
Item no. 200769  
lifter – can be passed from both sides



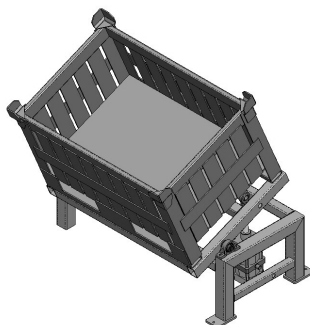
Item no. 135963  
lifter with work cycle line



Item no. 147590  
lifter for high boxes



Item no. 200799  
deposit to a platform



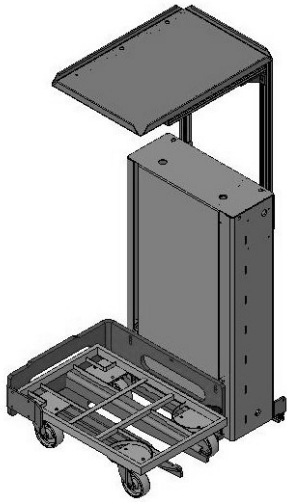
Item no. 145547  
for tilting containers

**Other models / dimensions / loads as well as control elements on request.**

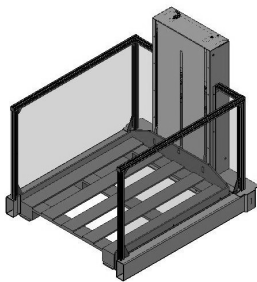
The appearance of the device may deviate from the plotted models

## LIFTERS

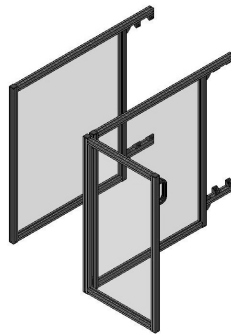
## Lifter Accessories



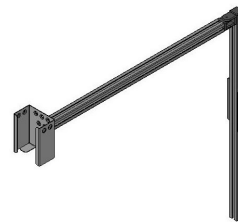
with KLT storage



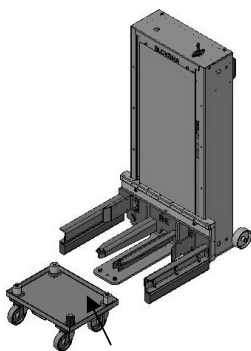
with protective housing



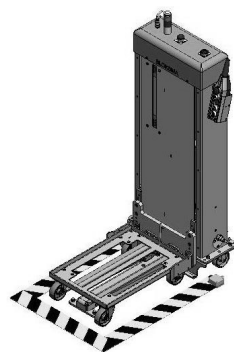
with protective housing  
with security door



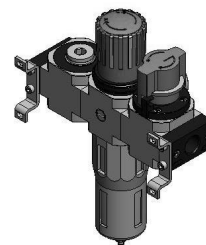
with swivel bracket for panels



bumper – shut off bar



safety mat



maintenance unit

**Other models / dimensions / loads as well as control elements on request.**

The appearance of the device may deviate from the plotted models.

## SHADOW-MAP (6 PIECES)

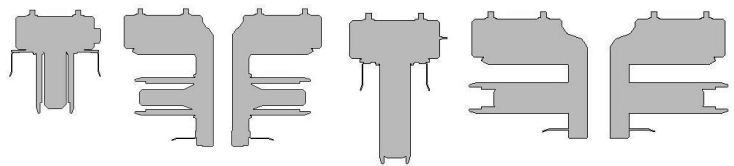
**Shadow-Map**  
**Set 6 pieces 201936**

**Bloksma helps the optimal design of your workplace from the beginning and thus ensures the right choice of reciprocator.**

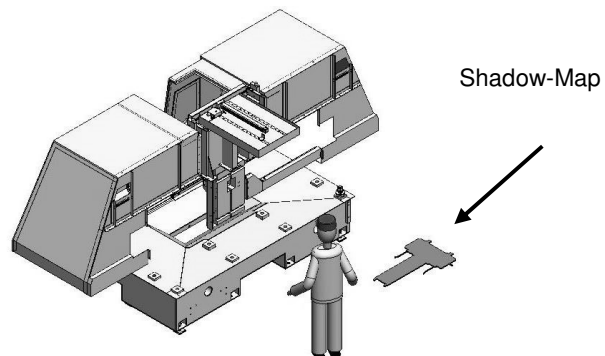
Bloksma supports your planning process from the beginning.

With our 6-piece set of shadow maps, you can easily plan and control the footprint or the setup of our lifting equipment in your production.

Order your 6 piece shadow map set and you have the best decision support.



Put the shadow map on the you provided in the workplace. Roll. Your trolleys to the future support point They recognize quickly whether the tender of trolley goes smoothly and whether the worker can act the parts with little effort. Try alternatives. Check the location of the operating element and the power supply.



Check the installation site, let your employees in decisions and order your desired device in Bloksma.

