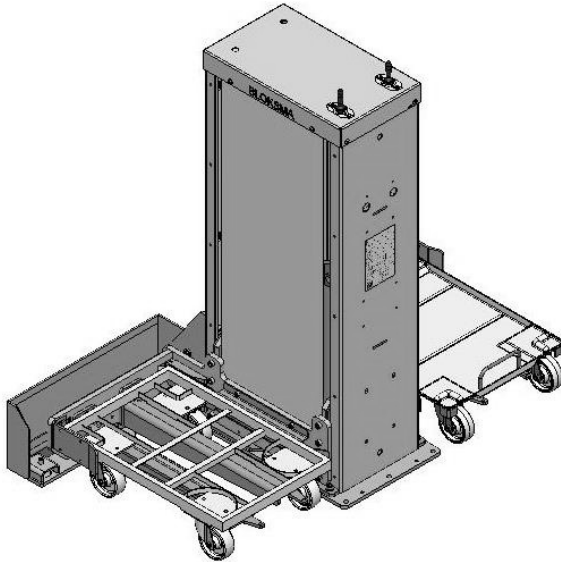


## LIFTERS



### Pneumatic lifter HPS-G

Gemini –  
Stationary

Suitable for Bloksma trolley BOF + BOZ  
(see chapter TROLLEYS)

Designed for ergonomic working at  
assembly work stations and machines

Various load capacities available

Various load carriers available (forks,  
platform, bracket or similar)

Adapted to the trolley to be loaded.

Standard control element

Hand lever on device

(options see Overview CONTROL  
ELEMENTS)

**Options:**  
automatic height adjustment etc.

Item no.	Load capacity per lifter	Size of trolley mm	Adaption of trolley / control element	Working height above floor level (GOK)
141869	200 kg each side	600 x 400 630 x 430	lengthside BOF + BOZ stationary - hand level	720 mm
142605	200 kg each side	600 x 400 630 x 430	lengthside BOF + BOZ stationary - hand level	920 mm
145542	300 kg each side	600 x 400 630 x 430	lengthside BOF + BOZ stationary - hand level	720 mm
145540	300 kg each side	600 x 400 630 x 430	lengthside BOF + BOZ stationary - hand level	920 mm

**Power demand: Pneumatic 6 bar**

**Other models / dimensions / loads as well as control elements on request.**

The appearance of the device may deviate from the plotted models.