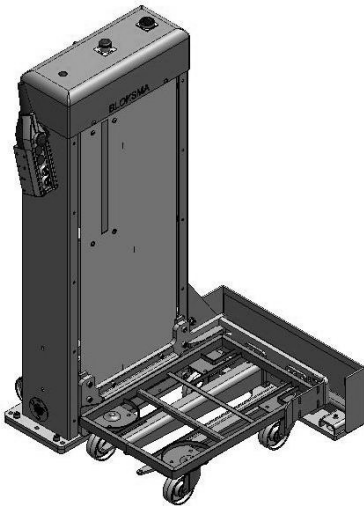
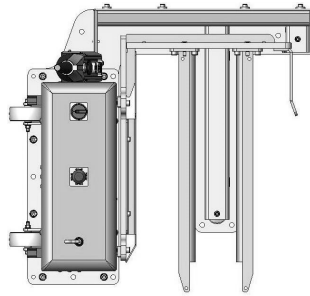


### LIFTERS



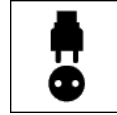
Illustrated version:  
stationary lifter



Difference between  
stationary / semi-mobile / mobile  
see overview MOBILITY

### Electric lifter HES-L HET-L HEM-L

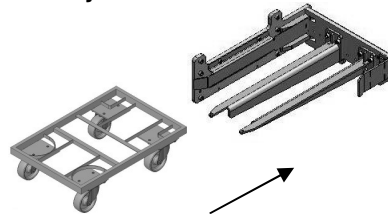
Side loading left –  
stationary / semi-mobile /  
mobile  
trolley lengthwise



Suitable for Bloksma trolley  
BOF + BOZ (see chapter TROLLEYS)

Standard control element  
Hand lever on device  
(Options see Overview CONTROL  
ELEMENTS)

**Options:**  
automatic height adjustment,  
trolley load control etc.



Stationary	Semi-mobile	Mobile	Load capacity	Size of trolley mm	Working height above floor level (GOK)
141165	141085	142524	200 kg	600 x 400	720 mm
141166	141086	142525	200 kg	600 x 400	920 mm
141167	141087	142526	300 kg	600 x 400	720 mm
141168	141088	142527	300 kg	600 x 400	920 mm

202770	202772	202774	500 kg	600 x 400	720 mm
202771	202773	202775	500 kg	600 x 400	920 mm

Stationary	Semi-mobile	Mobile	Load capacity	Size of trolley mm	Working height above floor level (GOK)
141171	141091	142528	200 kg	800 x 600	720 mm
141172	141092	142529	200 kg	800 x 600	920 mm
141173	141093	142530	300 kg	800 x 600	720 mm
141174	141094	142531	300 kg	800 x 600	920 mm

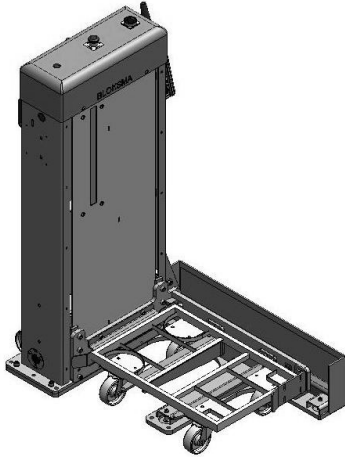
202776	202778	-----	500 kg	800 x 600	720 mm
202777	202779	-----	500 kg	800 x 600	920 mm

**Power demand: 230V/50Hz / lifting speed 31 mm/s (47 mm/s on request)**

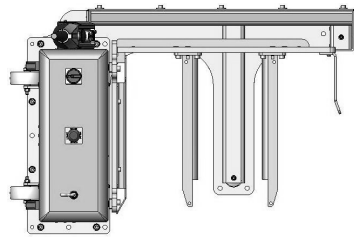
**Other models / dimensions / loads / lifting speeds as well as control elements on request.**

The appearance of the device may deviate from the plotted models.

### LIFTERS

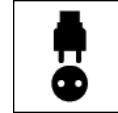


Illustrated version:  
semi-mobile lifter



### Electric lifter HES-L HET-L HEM-L

Side loading left –  
stationary / semi-mobile /  
mobile  
trolley crosswise

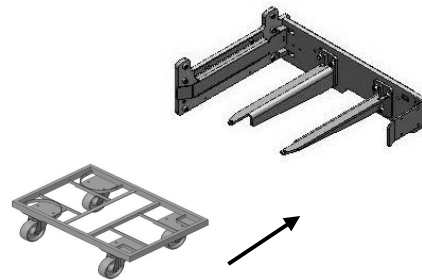


Suitable for Bloksma trolley  
BOF + BOZ (see chapter TROLLEYS)

Standard control element  
Hand lever on device  
(Options see Overview CONTROL ELEMENTS)

**Options:**  
automatic height adjustment,  
trolley load control etc.

Difference between  
stationary / semi-mobile / mobile  
see overview MOBILITY



Stationary	Semi-mobile	Mobile	Load capacity	Size of trolley mm	Working height above floor level (GOK)
141177	141097	142516	200 kg	600 x 400	720 mm
141178	141098	142517	200 kg	600 x 400	920 mm
141179	141099	142518	300 kg	600 x 400	720 mm
141180	141100	142519	300 kg	600 x 400	920 mm

202782	202784	202786	500 kg	600 x 400	720 mm
202783	202785	202787	500 kg	600 x 400	920 mm

Stationary	Semi-mobile	Mobile	Load capacity	Size of trolley mm	Working height above floor level (GOK)
141183	141103	142520	200 kg	800 x 600	720 mm
141184	141104	142521	200 kg	800 x 600	920 mm
141185	141105	-----	300 kg	800 x 600	720 mm
141186	141106	-----	300 kg	800 x 600	920 mm

202788	202790	-----	500 kg	800 x 600	720 mm
202789	202791	-----	500 kg	800 x 600	920 mm

**Power demand: 230V/50Hz / lifting speed 31 mm/s (47 mm/s on request)**  
**Other models / dimensions / loads / lifting speeds as well as control elements on request.**

The appearance of the device may deviate from the plotted models