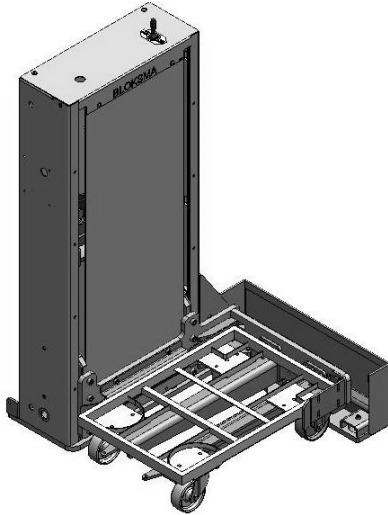
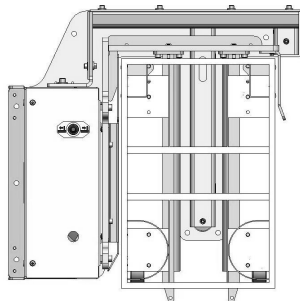


### LIFTERS



Illustrated version:  
stationary lifter



Difference between  
stationary / semi-mobile / mobile  
see overview MOBILITY

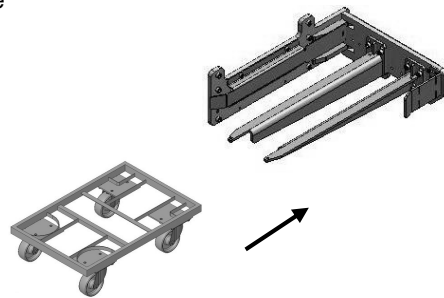
### Pneumatic lifter HPS-L HPT-L HPM-L

Side loading left –  
stationary / semi-mobile / mobile  
trolley lengthwise

Suitable for Bloksma trolley  
BOF + BOZ (see chapter TROLLEYS)

Standard control element  
Hand lever on device  
(Options see Overview CONTROL  
ELEMENTS)

**Options:**  
automatic height adjustment etc.



Stationary	Semi-mobile	Mobile	Load capacity	Size of trolley mm	Working height above floor level (GOK)
137220	133465	137244	200 kg	600 x 400	720 mm
137221	137269	137245	200 kg	600 x 400	920 mm
137026	137270	137246	300 kg	600 x 400	720 mm
136084	137271	137247	300 kg	600 x 400	920 mm

202721	202723	202725	500 kg	600 x 400	720 mm
202722	202724	202726	500 kg	600 x 400	920 mm

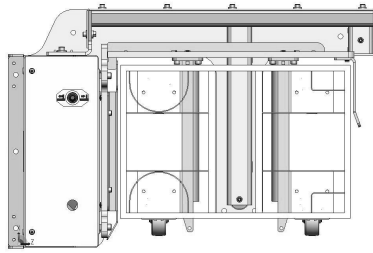
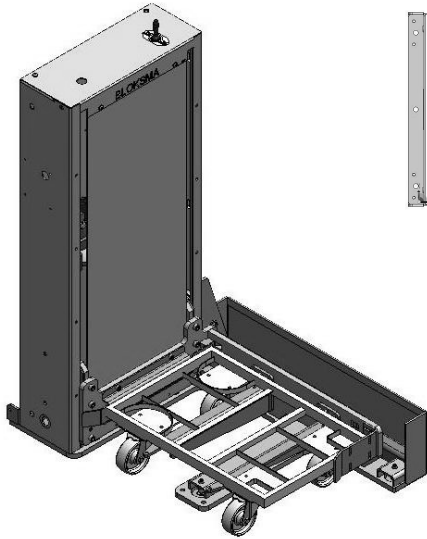
Stationary	Semi-mobile	Mobile	Load capacity	Size of trolley mm	Working height above floor level (GOK)
137276	137228	137252	200 kg	800 x 600	720 mm
137229	137277	137253	200 kg	800 x 600	920 mm
137230	137278	137254	300 kg	800 x 600	720 mm
137231	137279	137255	300 kg	800 x 600	920 mm

202727	202729	-----	500 kg	800 x 600	720 mm
202728	202730	-----	500 kg	800 x 600	920 mm

**Power demand: Pneumatic 6 bar**  
**Other models / dimensions / loads as well as control elements on request.**

The appearance of the device may deviate from the plotted models.

### LIFTERS



Difference between stationary / semi-mobile / mobile see overview MOBILITY

Illustrated version: stationary lifter

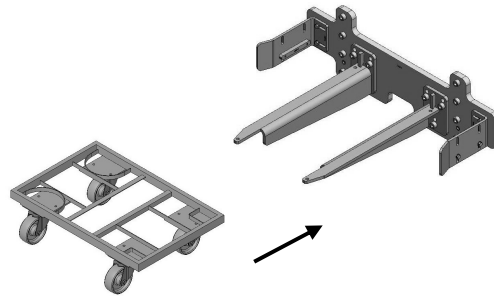
### Pneumatic lifter HPS-L HPT-L HPM-L

Side loading left – stationary / semi-mobile / mobile trolley crosswise

Suitable for Bloksma trolley BOF + BOZ (see chapter TROLLEYS)

Standard control element  
Hand lever on device  
(Options see Overview CONTROL ELEMENTS)

**Options:**  
automatic height adjustment etc.



Stationary	Semi-mobile	Mobile	Load capacity	Size of trolley mm	Working height above floor level (GOK)
139535	137708	139547	200 kg	600 x 400	720 mm
139536	139624	139548	200 kg	600 x 400	920 mm
139537	139625	139549	300 kg	600 x 400	720 mm
139538	139626	139550	300 kg	600 x 400	920 mm

202733	202735	202737	500 kg	600 x 400	720 mm
202734	202736	202738	500 kg	600 x 400	920 mm

Stationary	Semi-mobile	Mobile	Load capacity	Size of trolley mm	Working height above floor level (GOK)
139541	139629	139553	200 kg	800 x 600	720 mm
139542	139630	139554	200 kg	800 x 600	920 mm
139543	139631	-----	300 kg	800 x 600	720 mm
139544	139632	-----	300 kg	800 x 600	920 mm

202739	202741	-----	500 kg	800 x 600	720 mm
202740	202742	-----	500 kg	800 x 600	920 mm

**Power demand: Pneumatic 6 bar**  
**Other models / dimensions / loads as well as control elements on request.**

The appearance of the device may deviate from the plotted models.