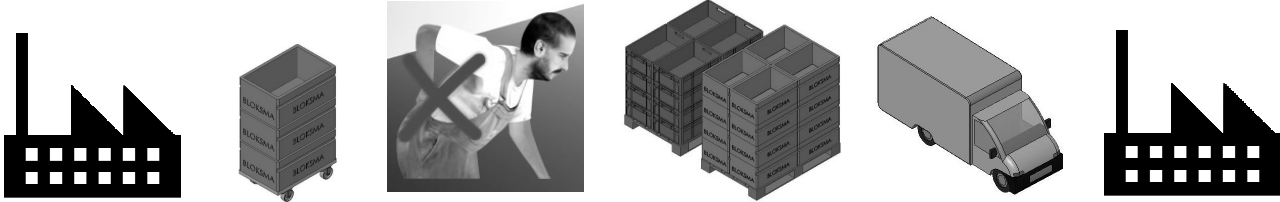


### TRANSPORT LOGISTICS

Today:



Plant 1

Material on trolleys at incoming goods

**Loss of time:**

- Restacking KLTs by hand from trolley to euro pallet
- High physical strain on employee
- Time-consuming fastening with belts to fix goods accordingly

Loaded onto Truck and transported to plant 2

Tomorrow:






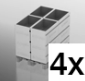


Plant 1

Material on trolleys at incoming goods

- Trolley quickly and easily loaded onto transport pallet and safely locked
- Thanks to VDA top cover quick and secure fastening with belts

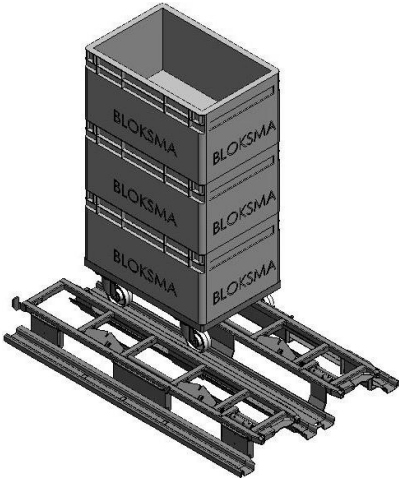
Loaded onto Truck and transported to plant 2

Economic perspective:

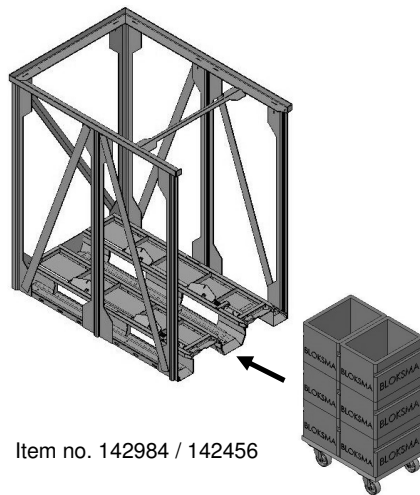
			
 1x	18 min	10 min	Δ 8 min
 4x pro Schicht per shift	72 min	40 min	Δ 32 min
 3x pro Tag per day	216 min	120 min	Δ 96 min
 240x pro Jahr per year	51.840 min	28.800 min	Δ 23.040 min

## TRANSPORT LOGISTICS

## Transport Pallets and Racks TFG (open design) I



Item no. 143965 (1.200 x 800 mm)  
Item no. 147692 (1.200 x 1.000 mm)



Item no. 142984 / 142456

For fast and safe indoor transport of boxes or products

The trolley stacks are moved into the rack and the load is secured by a transportation lock

Transport of the rack by industrial trucks such as forklift truck, pallet truck (to a certain extend), electric pallet truck or similar)

To some extend the racks are stackable

Open systems

Various designs available (housing, colours, etc.)

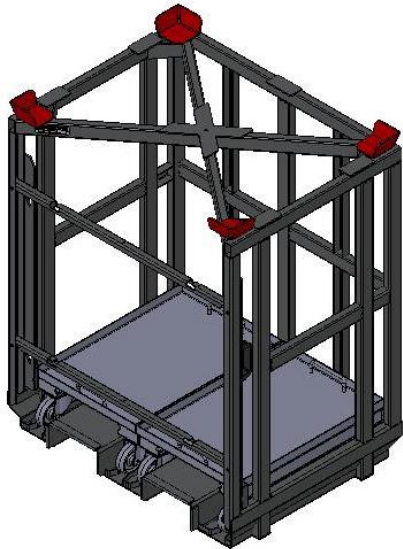
### More information on indoor and outdoor transport see page 279

Item no.	Product to be transported	Dimensions	Stackable
143965	4 Bloksma trolleys BOF 600 x 400 mm or 2 Bloksma trolleys BOF 800 x 600 mm	L = 1.200 mm B = 800 mm	yes / to a limited extend
142984	4 Bloksma trolleys BOF 600 x 400 mm or 2 Bloksma trolleys BOF 800 x 600 mm	L = 1.200 mm B = 800 mm	yes
142456	4 Bloksma trolleys BOF 600 x 400 mm as 142984 but with housing	L = 1.200 mm B = 800 mm	yes
147692	4 Bloksma trolleys BOF 600 x 500 mm	L = 1.200 mm B = 1.000 mm	yes / to a limited extend

Other models / dimensions on request.

**TRANSPORT LOGISTICS**

**Transport Pallets  
and Racks  
TFG (open design) II**



Item no. 144616

For fast and safe indoor transport of boxes or products

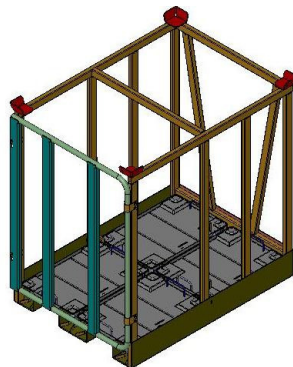
The trolley stacks are moved into the rack and the load is secured by a transportation lock

Transport of the rack by industrial trucks such as forklift truck, pallet truck (to a certain extend), electric pallet truck or similar

To some extend the racks are stackable

Open systems

Various designs available (housing, colours, etc.)



Item no. 142730

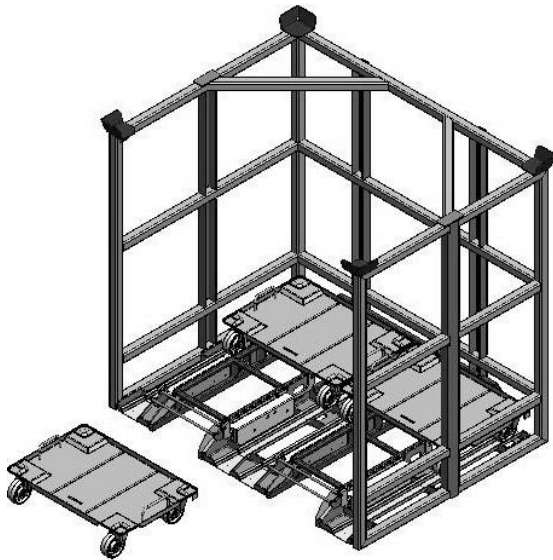
**More information on indoor and outdoor transport see page 279**

Item no.	Product to be transported	Dimensions	Stackable
144616	2 Bloksma trolleys BOZ 630 x 430 mm	L = 1.365 mm B = 964 mm	yes
142730	4 Bloksma trolleys BOZ 630 x 430 mm	L = 1.395 mm B = 1.045 mm	yes

**Other models / dimensions on request.**

**TRANSPORT LOGISTICS  
FOR BLOKSMA TROLLEY BOZ**

**Transport Pallets and  
Racks  
TFG (open design) III**



For fast and safe indoor transport of boxes or products

The trolley stacks are moved into the rack and the load is secured by a transportation lock

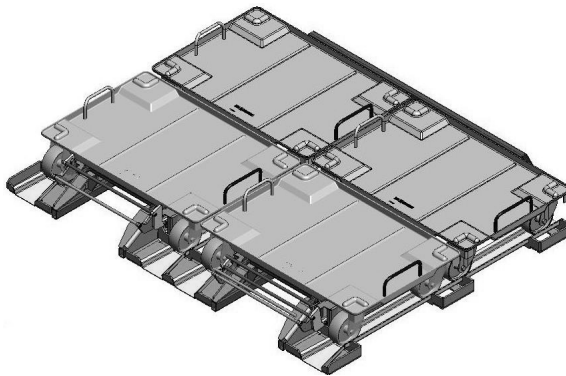
Transport of the rack by industrial trucks such as forklift truck, pallet truck (to a certain extend), electric pallet truck or similar)

To some extend the racks are stackable

Open systems

Various designs available (housing, colours, etc.)

Item no. 201537



**More information on indoor and outdoor transport see page 279**

Item no.	Product to be transported	Dimensions	Stackable
146130	4 Bloksma BOZ Bloksma Bodenroller 630 x 430 mm	L = 1.286 mm B = 965 mm	yes / to a limited extend
201537	4 Bloksma BOZ Bloksma Bodenroller 630 x 430 mm	L = 1.420 mm B = 1.083 mm	yes

**Other models / dimensions on request.**