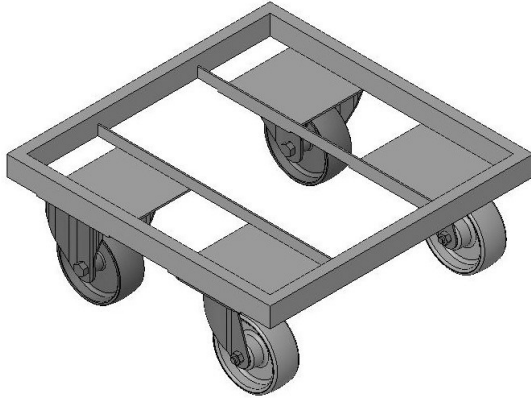


## TROLLEYS



Item no. 138151-Sxxxx

### Trolleys

**BOF I 400 x 400 mm**  
for KLT  
max. 250 kg

For indoor transport of a stack of boxes

Various wheel qualities (PP, rubber coated or ESD)

Suitable for transport pallets (see chapter LOGISTICS TRG)

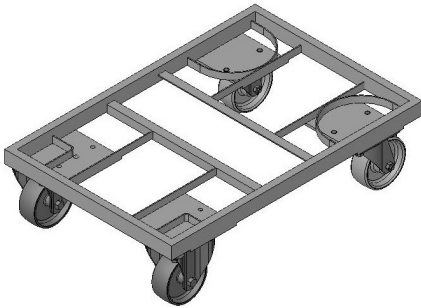
Standard size 400 x 400 mm

Optional products can be found in chapter ACCESSORIES

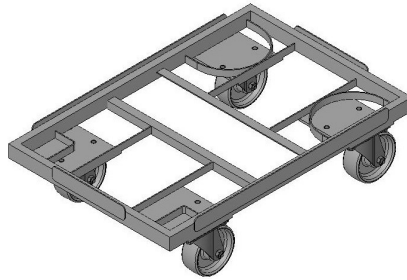
Item no.	Product to be carried	Size of trolley and load	Centering of product	Wheels	Wheel design
138151-S0001 138151-S0002	KLT 400 x 400 mm KLT 400 x 400 mm	400 x 400 mm 400 x 400 mm  max. 250 kg	on inside edge of frame	PA ESD Hard plastic  all Ø 100 mm	2 swivel and 2 fixed castors

Other models / dimensions on request.

## TROLLEYS



Item no. 137786-Sxxxx  
Centering inside edge of frame



Item no. 137786-Sxxxx  
Centering with lateral stop bars

## Trolleys

### BOF II 600 x 400 mm

for KLT  
max. 250 kg

For indoor transport of a stack of boxes

Various wheel qualities (PP, rubber or PU-coated, ESD)

Suitable for transport pallets (see chapter LOGISTICS TRG)

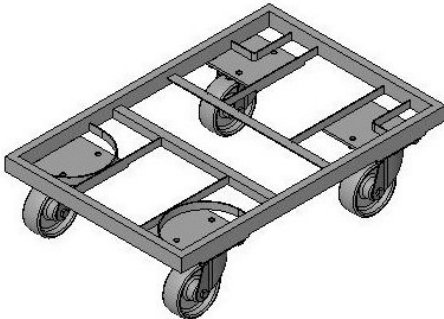
Standard size 600 x 400 mm

Optional products can be found in chapter ACCESSORIES

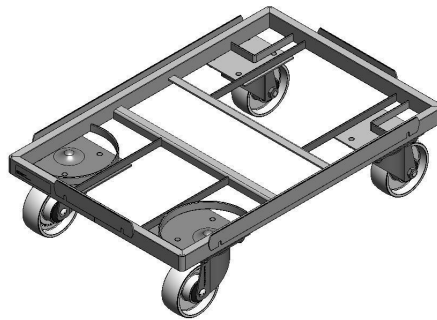
Item no.	Product to be carried	Size of trolley and load	Centering of product	Wheels	Wheel design
137786-S0001 137786-S0002 137786-S0003 137786-S0004	KLT 600 x 400 mm KLT 600 x 400 mm KLT 600 x 400 mm KLT 600 x 400 mm	600 x 400 mm 600 x 400 mm 600 x 400 mm 600 x 400 mm  max. 250 kg	on inside edge of frame	PA ESD Hard plastic rubber 2x rubber / 2x PA  all Ø 100 mm	2 swivel and 2 fixed castors
137786-S0005 137786-S0006 137786-S0007 137786-S0008	KLT 600 x 400 mm KLT 600 x 400 mm KLT 600 x 400 mm KLT 600 x 400 mm	600 x 400 mm 600 x 400 mm 600 x 400 mm 600 x 400 mm  max. 250 kg	lateral stop bars	PA ESD Hard plastic rubber 2x rubber / 2x PA  all Ø 100 mm	2 swivel and 2 fixed castors

Other models / dimensions on request.

## TROLLEYS



Item no. 137787-Sxxxx  
Centering inside edge of frame



Item no. 137787-Sxxxx  
Centering with lateral stop bars

### Trolleys BOF III 600 x 400 mm for KLT max. 250 kg

For indoor transport of a stack of boxes

Various wheel qualities (PP, rubber or PU-coated, ESD)

Suitable for transport pallets (see chapter LOGISTICS TRG)

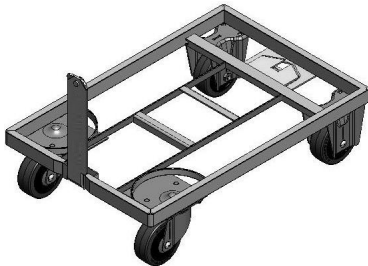
Standard size 600 x 400 mm

Optional products can be found in chapter ACCESSORIES

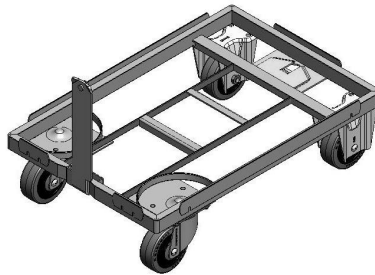
Item no.	Product to be carried	Size of trolley and load	Centering of product	Wheels	Wheel design
137787-S0001 137787-S0002 137787-S0003 137787-S0004	KLT 600 x 400 mm KLT 600 x 400 mm KLT 600 x 400 mm KLT 600 x 400 mm	600 x 400 mm 600 x 400 mm 600 x 400 mm 600 x 400 mm  max. 250 kg	on inside edge of frame	PA ESD Hard plastic rubber 2x rubber / 2x PA  all Ø 100 mm	4 swivel castors
137787-S0005 137787-S0006 137787-S0007 137787-S0008	KLT 600 x 400 mm KLT 600 x 400 mm KLT 600 x 400 mm KLT 600 x 400 mm	600 x 400 mm 600 x 400 mm 600 x 400 mm 600 x 400 mm  max. 250 kg	lateral stop bars	PA ESD Hard plastic rubber 2x rubber / 2x PA  all Ø 100 mm	4 swivel castors

Other models / dimensions on request.

## TROLLEYS



Item no. 135716-Sxxxx  
Centering inside edge of frame



Item no. 135716-Sxxxx  
Centering with lateral stop bars

### Trolleys

#### BOF IV 600 x 400 mm

for KLT  
max. 250 kg

For indoor transport of a stack of boxes

Various wheel qualities (PP, rubber or PU-coated, ESD)

Suitable for transport pallets (see chapter LOGISTICS TRG)

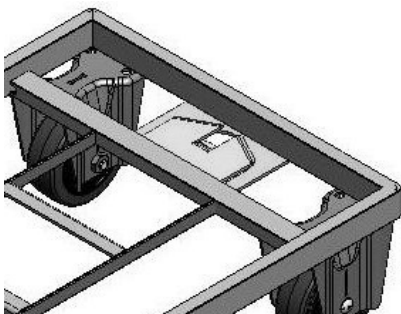
Standard size 600 x 400 mm

Optional products can be found in chapter ACCESSORIES

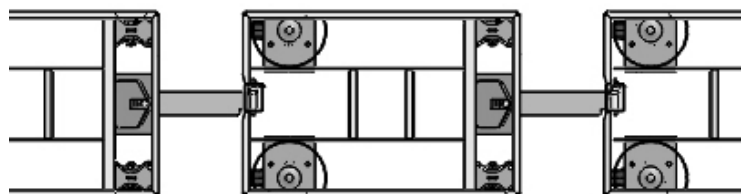
#### With rigid drawbar

Item no.	Product to be carried	Size of trolley and load	Centering of product	Wheels	Wheel design
135716-S0001 135716-S0002 135716-S0003 135716-S0004	KLT 600 x 400 mm KLT 600 x 400 mm KLT 600 x 400 mm KLT 600 x 400 mm	600 x 400 mm 600 x 400 mm 600 x 400 mm 600 x 400 mm  max. 250 kg	<b>with rigid drawbar</b>  on inside edge of frame	PA ESD Hard plastic rubber 2x rubber / 2x PA  all Ø 100 mm	2 swivel and 2 fixed castors
135716-S0005 135716-S0006 135716-S0007 135716-S0008	KLT 600 x 400 mm KLT 600 x 400 mm KLT 600 x 400 mm KLT 600 x 400 mm	600 x 400 mm 600 x 400 mm 600 x 400 mm 600 x 400 mm  max. 250 kg	<b>with rigid drawbar</b>  lateral stop bars	PA ESD Hard plastic rubber 2x rubber / 2x PA  all Ø 100 mm	2 swivel and 2 fixed castors

Other models / dimensions on request.

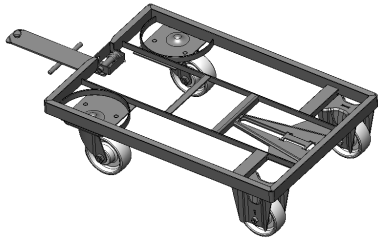


Rigid drawbar system

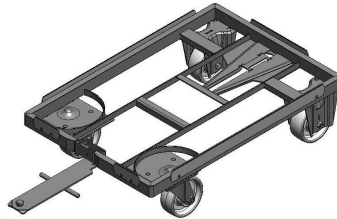


## TROLLEYS

**Trolleys**  
**BOF V 600 x 400 mm**  
 for KLT  
 max. 250 kg



Item no. 144183-Sxxxx  
 Centering inside edge of frame



Item no. 144183-Sxxxx  
 Centering with lateral stop bars

For indoor transport of a stack of boxes

Various wheel qualities (PP, rubber or PU-coated, ESD)

Suitable for transport pallets (see chapter LOGISTICS TRG)

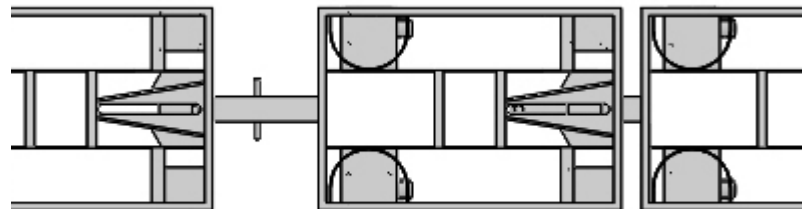
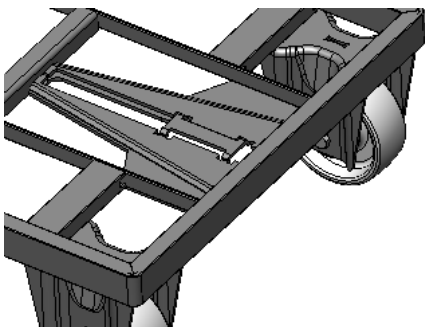
Standard size 600 x 400 mm

Optional products can be found in chapter ACCESSORIES

**Drawbar with “concertina effect”**

Item no.	Product to be carried	Size of trolley and load	Centering of product	Wheels	Wheel design
144183-S0001 144183-S0002 144183-S0003 144183-S0004	KLT 600 x 400 mm KLT 600 x 400 mm KLT 600 x 400 mm KLT 600 x 400 mm	600 x 400 mm 600 x 400 mm 600 x 400 mm 600 x 400 mm  max. 250 kg	<b>Drawbar with “concertina effect”</b>  on inside edge of frame	PA ESD Hard plastic rubber 2x rubber / 2x PA  all Ø 100 mm	2 swivel and 2 fixed castors
144183-S0005 144183-S0006 144183-S0007 144183-S0008	KLT 600 x 400 mm KLT 600 x 400 mm KLT 600 x 400 mm KLT 600 x 400 mm	600 x 400 mm 600 x 400 mm 600 x 400 mm 600 x 400 mm  max. 250 kg	<b>Drawbar with “concertina effect”</b>  lateral stop bars	PA ESD Hard plastic rubber 2x rubber / 2x PA  all Ø 100 mm	2 swivel and 2 fixed castors

Other models / dimensions on request.



“Concertina effect”

## TROLLEYS

### Trolleys

#### BOF VII 800 x 600 mm

for KLT & GLT  
max. 500 kg

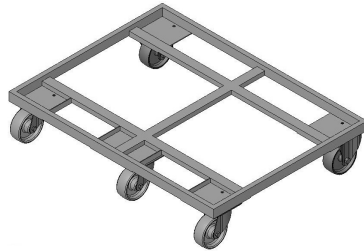
For indoor transport of a stack of boxes

Various wheel qualities (PP, rubber or PU-coated, ESD)

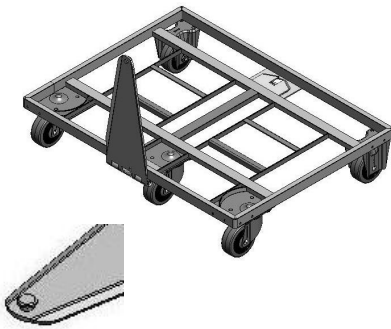
Suitable for transport pallets (see chapter LOGISTICS TRG)

Standard size 800 x 600 mm

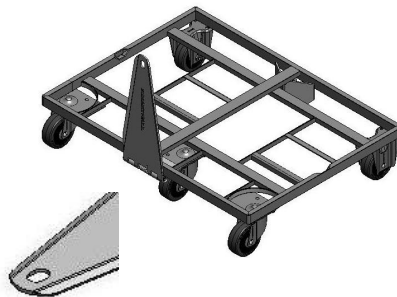
Optional products can be found in chapter ACCESSORIES



Item no. 138158-Sxxxx



Item no. 138160-Sxxxx  
drawbar with pin



Item no. 138160-Sxxxx  
drawbar with hole

Item no.	Product to be carried	Size of trolley and load	Centering of product	Wheels	Wheel design
138158-S0001 138158-S0002 138158-S0003	2 KLT 600 x 400 or 1 GLT 800 x 600	800 x 600 mm max. 500 kg	on inside edge of frame	PA ESD Hard plastic rubber	3 swivel and 2 fixed castors
142697	2 KLT 600 x 400 or 1 GLT 800 x 600	800 x 600 mm max. 500 kg	on inside edge of frame	PA	4 swivel castors
138160-S0001 138160-S0002 138160-S0003 138160-S0004	2 KLT 600 x 400 or 1 GLT 800 x 600	800 x 600 mm max. 500 kg	<b>drawbar with pin</b>  on inside edge of frame	PA ESD Hard plastic rubber 2x rubber / 3x PA	3 swivel and 2 fixed castors
138160-S0005 138160-S0006 138160-S0007 138160-S0008	2 KLT 600 x 400 or 1 GLT 800 x 600	800 x 600 mm max. 500 kg	<b>drawbar with hole</b>  on inside edge of frame	PA ESD Hard plastic rubber 2x rubber / 3x PA	3 swivel and 2 fixed castors

Other models / dimensions on request.