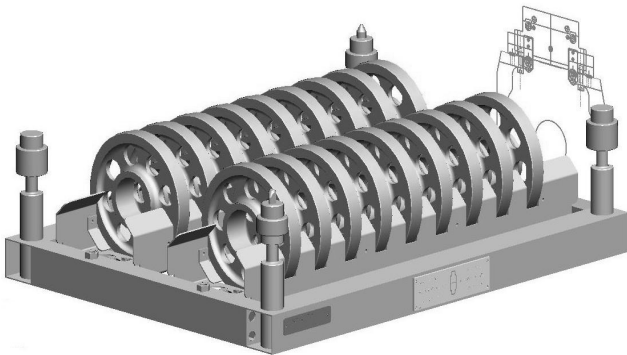


WORKPIECE CARRIERS

Workpiece Carrier WTR I

for heavy and big components



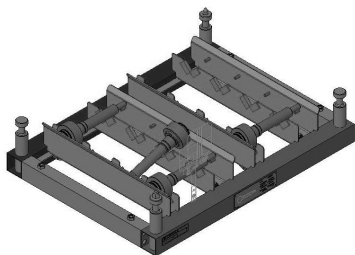
Item no. 133881

Adapted for automated production

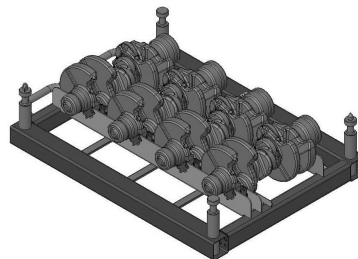
For high-precision and delicate components

Pick-up elements (metal or plastic) adapted to products to be carried

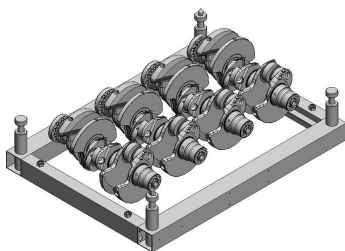
Made of steel, stainless steel, aluminium or combinations



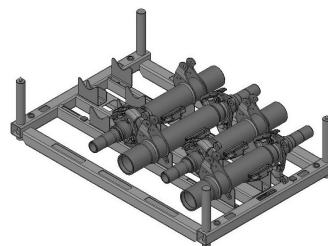
Item no. 131703



Item no. 142802



Item no. 141595



Item no. 128285

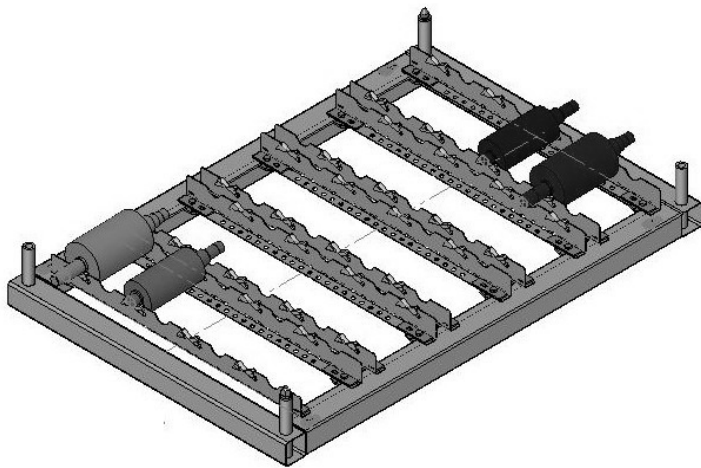
Due to the geometric shapes of the components / parts, the workpiece carriers are designed individually according to customer's requirements.

During the past 40 years, BLOKSMA has developed and produced more than 2.400 different kinds of workpiece carriers.

WORKPIECE CARRIERS

Workpiece Carrier WTR II

for heavy and big components



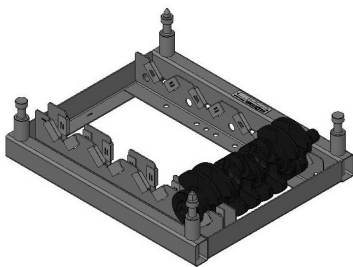
Adapted for automated production

For high-precision and delicate components

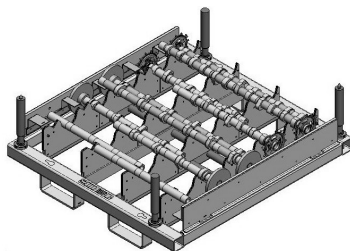
Pick-up elements (metal or plastic) adapted to products to be carried

Made of steel, stainless steel, aluminium or combinations

Item no. 131587



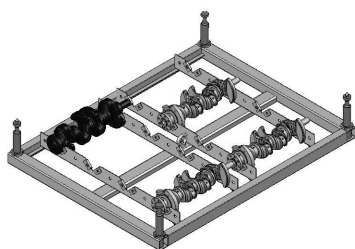
Item no. 131751



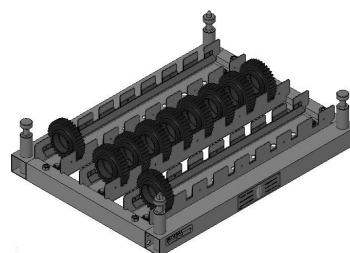
Item no. 132719



Item no. 126708



Item no. 133904



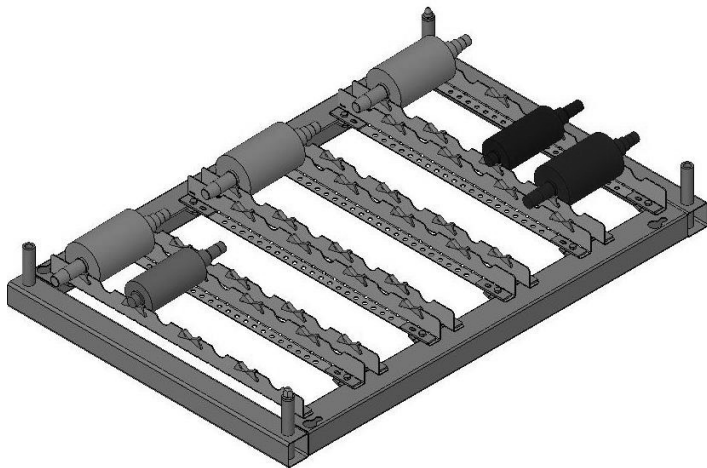
Item no. 139824

Due to the geometric shapes of the components / parts, the workpiece carriers are designed individually according to customer's requirements.

During the past 40 years, BLOKSMA has developed and produced more than 2.400 different kinds of workpiece carriers.

WORKPIECE CARRIERS

Workpiece Carrier Universal 800 x 600 mm for heavy and big components



Suitable for automated production

Very high positioning accuracy

Good washing properties

Pick-up elements (metal or plastic) adapted to products to be carried

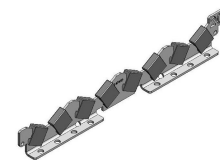
Made of steel, stainless steel, aluminium or combinations

Item no.	WPC-size	Remarks
202872-xxx-S	800 x 600 x SH	Grid strips in the X- and Y-axis



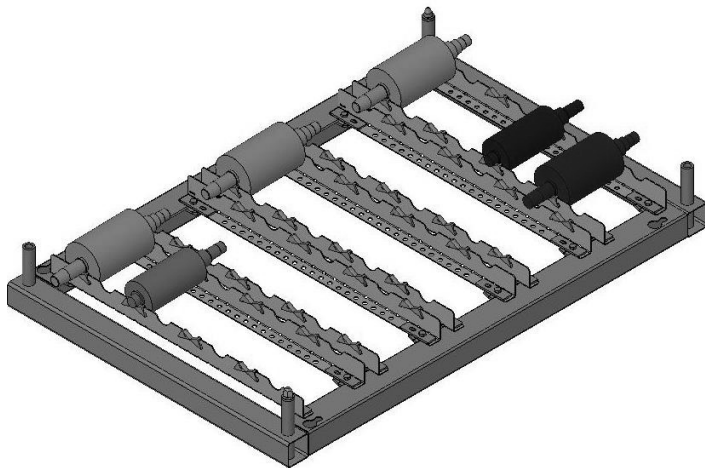
Example: 202872-xxx-S, stack height xxx mm, Pitch S

Item no.	WPC-size	Remarks
xxxxxx	800 x 600 mm	Receiving profiles are customized



WORKPIECE CARRIERS

Workpiece Carrier Universal 1.200 x 800 mm for heavy and big components



Suitable for automated production

Very high positioning accuracy

Good washing properties

Pick-up elements (metal or plastic) adapted to products to be carried

Made of steel, stainless steel, aluminium or combinations

Item no.	WPC-size	Remarks
202873-xxx-S	1.200 x 800 x SH	Grid strips in the X- and Y-axis



Example: 202873-xxx-S, stack height xxx mm, Pitch S

Item no.	WPC-size	Remarks
		Receiving profiles are customized

